

Design & Development of Automated Index in SPM for Wear plate Manufacturing

Omprakash Deshmukh¹, Prajwal Thakare², Lokesh Gohane³, Prashant Dahare⁴,
Rishabh Sahu⁵, Nitish Jha⁶, Prof.P.N.Awachat⁷

¹⁻⁶Students, ⁷Assitant Professor,

Dept. of Mechanical Engineering, G. H. Raisoni Academy of Engineering and Technology, Nagpur-440016

Abstract – The revolutionary concepts of wear plates, the specialist hard facing materials came into existence in 1980's. To date wearplates are being used almost worldwide, replacing the traditional wear resistances lining materials. DuraweldMetsys Private Limited is one of the few wearplate manufacturers in India.

For the forward motion of wearplates in special purpose machine which is basically designed for welding purpose hydraulic actuator is used. The main purpose of actuator is to give positive push to the heavy wear plate. Till date the whole working is operated manually.

To perform the operation fully automatic and in easier way we are planning to use the chain drive mechanism instead of hydraulic actuator for the sliding of heavy wear plates. Chain drive mechanism is the easier way to transmit power. Pin like arrangement will be provided on the links of the chain to give the push to the wear plate. Thus the sheet will easily slide on the fixture.

Thus use of chain drive mechanism is easy to operate as compared to hydraulic actuator. Chain drive mechanism is cheaper as compared to hydraulic actuator and less maintenance is required for the operation.

INTRODUCTION

DuraweldMetsys was formed in the Year 1991 and have over 2 decades of experience in Wear Products manufacturing. DuraweldMetsys was one of the first ISO 9000 certified companies in the Year 1998 by DNV –Netherlands. Subsequently, updated to ISO 9001 certification for Duraweld Wear Products and Reclamation activity. The purpose behind the project is to give the positive forward push to the heavy wear plate sheet. For the forward motion of sheet chain drive mechanism is better and it can give positive push also by mounting a little pin on the chain.

The sheet will be placed on the working bed on the fixture and chain drive mechanism is use to slide the sheet on the fixture.



Drive chain or **transmission chain** passing over a sprocket gear, with the teeth of the gear meshing with the holes in the links of the chain. The gear is turned, and this pulls the chain putting mechanical force into the system.

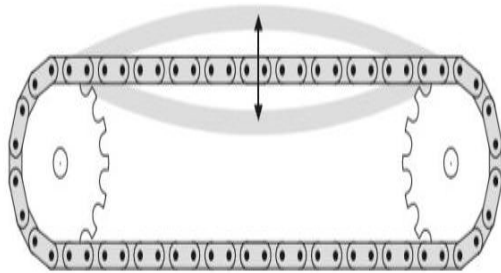
Thus use of chain drive mechanism is easy to operate as compared to hydraulic actuator. Chain drive mechanism is cheaper as compared to hydraulic actuator and less maintenance is required

II- PROCEDURE AND WORKING MATERIL

1) Chain

For the forward motion of wear plates we are using chain drive. **Chain drive** is a way of transmitting mechanical power from one place to another. Most often, the power is conveyed by a roller chain, known as the **drive chain** or **transmission chain** passing over a sprocket gear, with the teeth of the gear meshing with the holes in the links of the chain. The gear is turned,

and this pulls the chain putting mechanical force into the system. In this whole assembly we are using three chains, two chain to rotate the shaft which are connected together and third chain is to transmit power from motor from to the shaft .The chain which is suitable for the transmission is of chain no.140

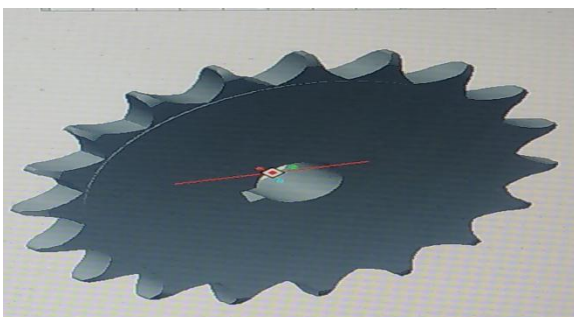


2) Shafts

Shafts are used to transmit power. We are using two shafts of 2 m length to transmit power with the help of chain drive mechanism. On the first shaft there will be three sprockets and on second shaft there will be two sprockets. The suitable material of shaft is SAE1045 steel.

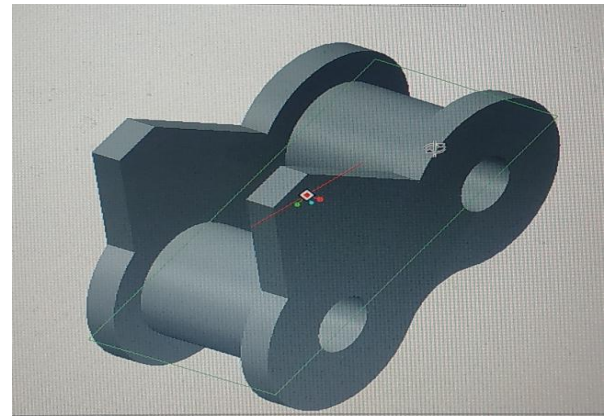
3) Roller Chain Sprocket

When it is imperative that angular velocity rotation to be constant some of the positive drive must be employed. A chain drive used in preference to gear when the distance between centers of a shaft to be connected makes gear drive unfeasible effective transmission of power. When the distance between the shaft centers is larger compared with the v-belt or flat drive is high efficiency drive and fewer loads on shaft. It can transmit the motion to several shafts through one chain. Number of sprockets required are 10 having 21 teeth. The suitable material for sprockets is SAE1045 steel.



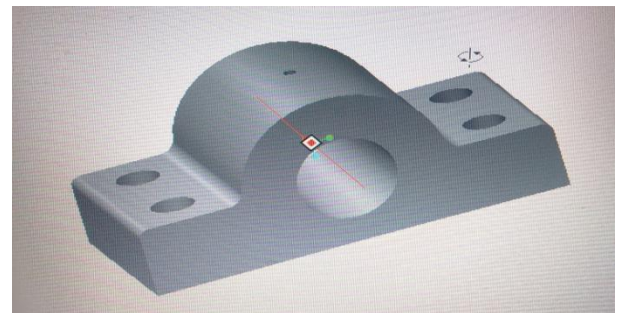
4) Pin

The pin is mounted on chain which will helps to move sheet in forward direction. There are two pins which are to be mounting on each chain. The suitable material for the pin is SAE 1030 steel.



Pedestal

It is a mechanical component helps to rotate shaft freely and it supports the shafts. This types of pedestals are used to rotate the shaft at high torque and low rpm. The suitable size of the pedestal is of 48 mm diameter for freely movement of the shaft.



III- DESIGN CALCULATION

- Torque =900*1000 N-mm (for 2 chain)
- Rated power
Pr =1884.95W
- Design power
Pd =3.52 H.P
- Chain=120
- Pitch dia.of sprocket
Dp=280mm
Vp =0.29m\sec
- Power capacity per stand
P=3.45KW
- Length of chains in pitches
Lp=45.04mm
- Standard dimension of sprocket
Width of sprocket teeth to mm for single standard chain
To=22mm
- ii) Transverse pitch for multiple stsand chain
=1.15P

DESIGN OF KEY

For Pd=3.52Hp and N=750 rpm

Shaft diameter=48mm

b=14mm

h=9mm

1)Max. Height of pin links

Hp=32mm

2)Max. Height of roller link

Hr=37mm

iii)Corner relief

e=5mm

Maximum permissible bore dia.

d=180mm.

i)shear stress

Shear =33.57<61N/mm sq.

Hence safe.

ii) Crushing stress

Tcr=104.16<122N/mm sq.

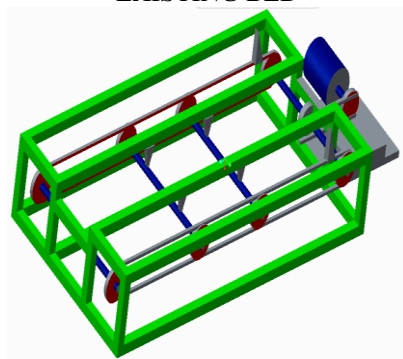
Hence safe.

REFERENCE

1. *Design Data For Machine Elements* by B.D.Shiwalkar
2. *Design of Machine Elements* by V.B. Bhandari
3. *Fundamental of Machine Components* by Robert Juvinall
4. www.weg.com
5. www.madeasypublications.org
6. *Fundamentals of Electrical Drives* by G.K. Dubey
7. *Fundamentals of Electrical Circuits.*
8. *Machine Elements Life and Design* by Boris M. Klebano
9. *David M. Barlam*
10. *Frederic E. Nystrom*

IV- DIFFERENCE BETWEEN EXISTING BED AND MODIFIED BED

EXISTING BED



MODIFIED BED

V- CONCLUSION

From the study we conclude that the Chain drive is a way of transmitting mechanical power from one place to another. Most often, the power is conveyed by a roller chain, known as the drive chain or transmission chain passing over a sprocket gear, with the teeth of the gear meshing with the holes in the links of the chain